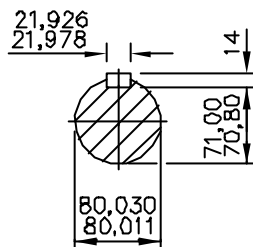
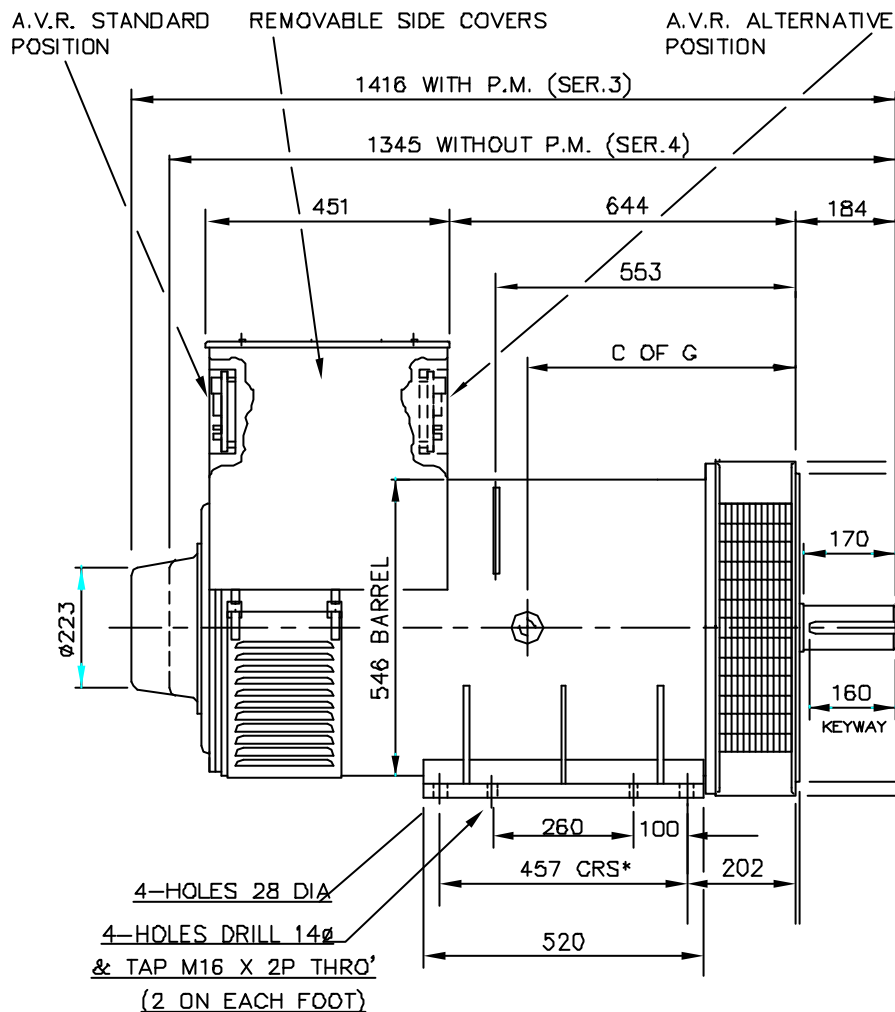


CG 41-4301
FIRST W.O.

ISSUE
A

IF IN DOUBT-ASK
DO NOT SCALE

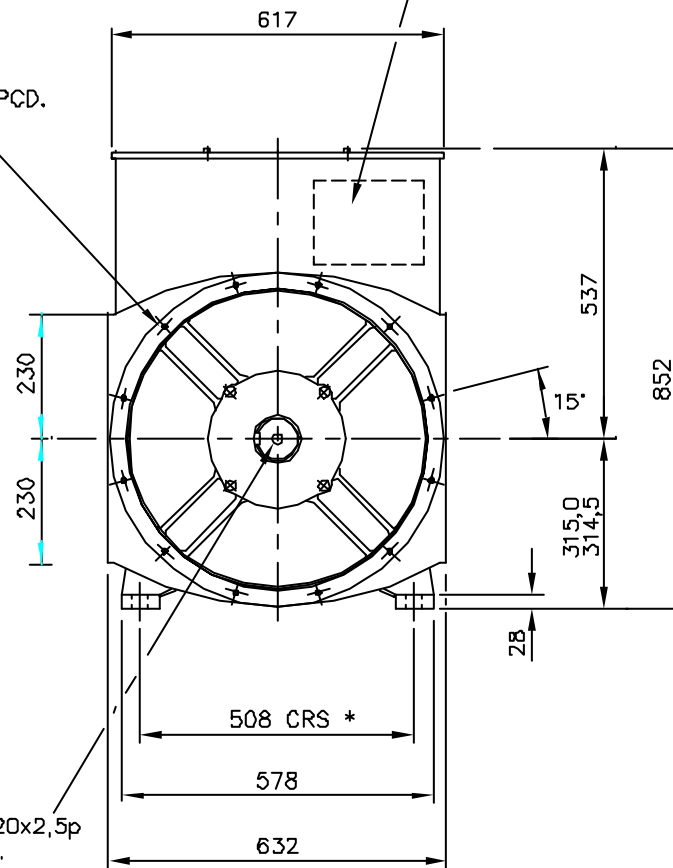
CORE	C OF G
F	500



DETAIL OF SHAFT EXTENSION.

12-HOLES M10x1,5p
EQUI-SPACED ON 590 PCD.

INDICATES POSITION OF A.V.R.



NOTE: -
CUSTOMER MAY CUT CABLE ENTRY HOLES AS REQUIRED IN ANY OF THE FOUR
TERMINAL BOX SIDES, SUBJECT TO POSITION OF AVR, TERMINALS, ETC.

* TOLERANCE ON CRS IS AS PER IS 2102 (PART 1) 1993
- MEDIUM CLASS.

CERTIFIED PRINT
(ONLY IF SIGNED)

BY

DATE

DRAWN S.M.C. 05.07.00

CH'D

APP'D

HC4 F 2 BRG
STANDARD ALTERNATOR

NEWAGE INTERNATIONAL Ltd
STAMFORD ENGLAND

SCALE

1:10

FIRST W.O.

UNIT OF MEASUREMENT
MILLIMETRES (mm)

CG 41-4301

ISSUE
A

4/3014/1	A	S.M.C.	05.07.00	ORIGINAL ISSUE
MOD'N	ISSUE	DRAWN	DATE	ALTERATION