

CG 41-4495

ISSUE  
A

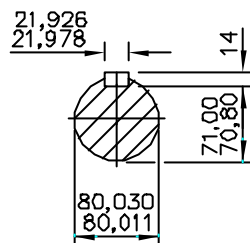
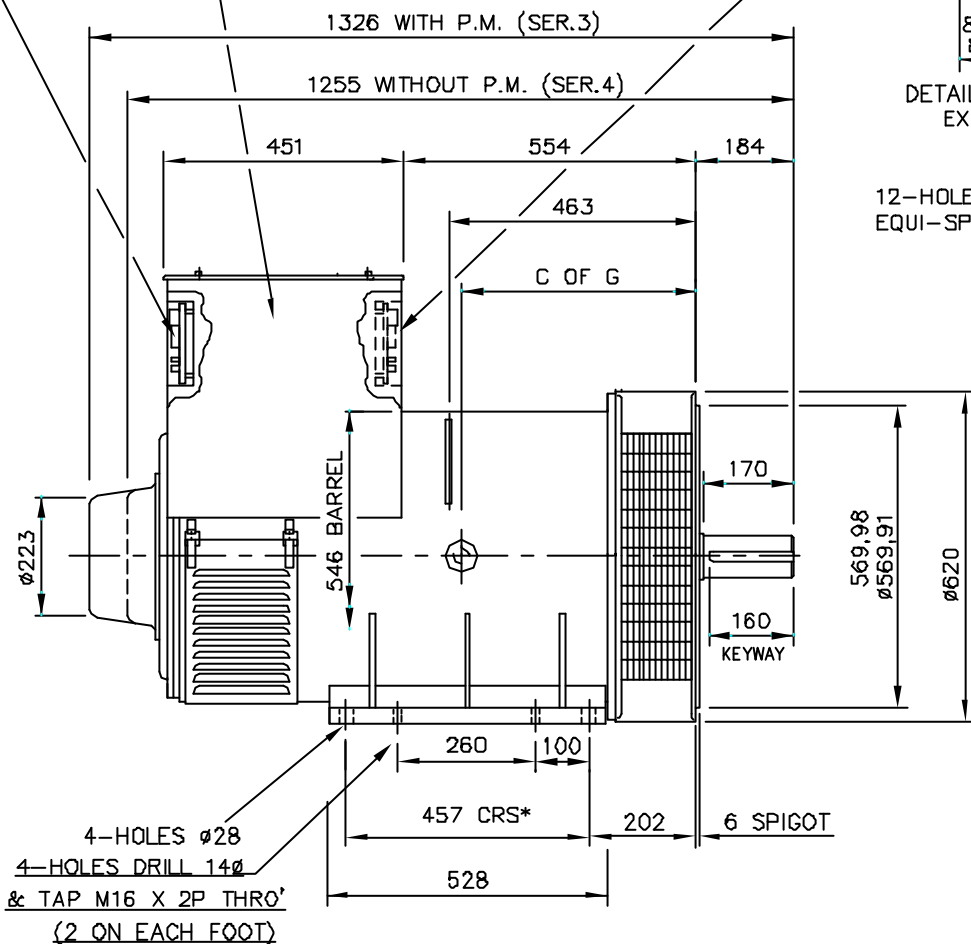
IF IN DOUBT-ASK

FIRST W.O.

DO NOT SCALE

CORE	C OF G
C	433
D	453
E	474

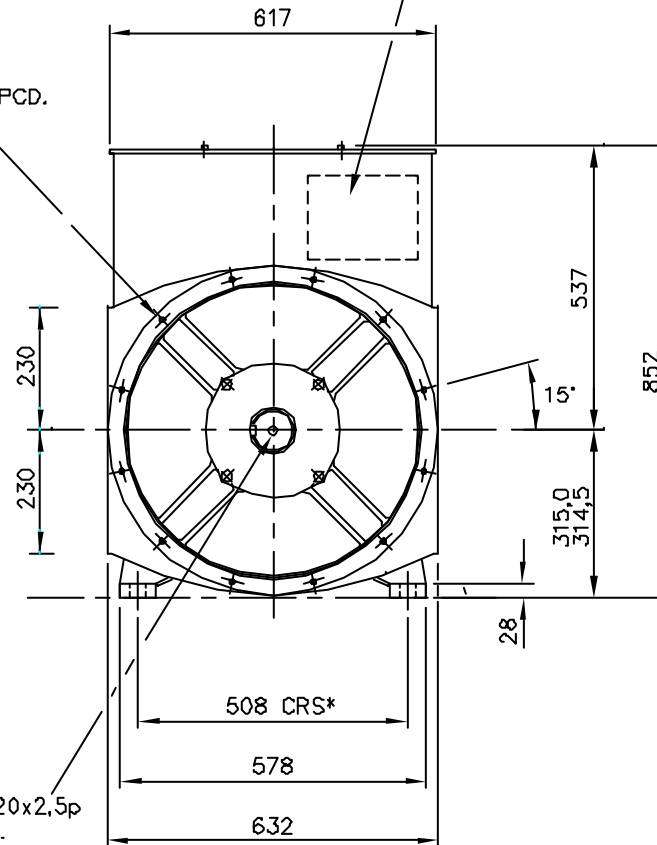
A.V.R. STANDARD POSITION      REMOVABLE SIDE COVERS      A.V.R. ALTERNATIVE POSITION



DETAIL OF SHAFT EXTENSION.

12-HOLES M10x1,5p  
EQUI-SPACED ON 590 PCD.

INDICATES POSITION OF A.V.R.



NOTE: -  
CUSTOMER MAY CUT CABLE ENTRY HOLES AS REQUIRED IN ANY OF THE FOUR  
TERMINAL BOX SIDES SUBJECT TO POSITION OF AVR, TERMINALS, ETC.

\* TOLERANCE ON CRS IS AS PER IS 2102 ( PART 1 ) 1993  
- MEDIUM CLASS.

CERTIFIED PRINT  
(ONLY IF SIGNED)

BY

DATE

DRAWN SKS 04.05.02

CHECKED

APPROVED

HC4 CDE 2-BRG  
STANDARD ALTERNATOR

NEWAGE INTERNATIONAL Ltd  
STAMFORD ENGLAND

SCALE

1:10

FIRST W.O.

UNIT OF MEASUREMENT  
MILLIMETRES (mm)

CG 41-4495

ISSUE  
A

MOD'N	ISSUE	DRAWN	DATE	ALTERATION
4/3014/1	A	SKS	04.05.02	ORIGINAL ISSUE